

SAI 3/4 C

SAIL Tap Range Sail Bath Taps Chrome



Features:

- Supplied with metal handles
- Supplied with metal back nuts
- Chrome plated to BS EN 248

Product Certifications:

For more products, visit our website:



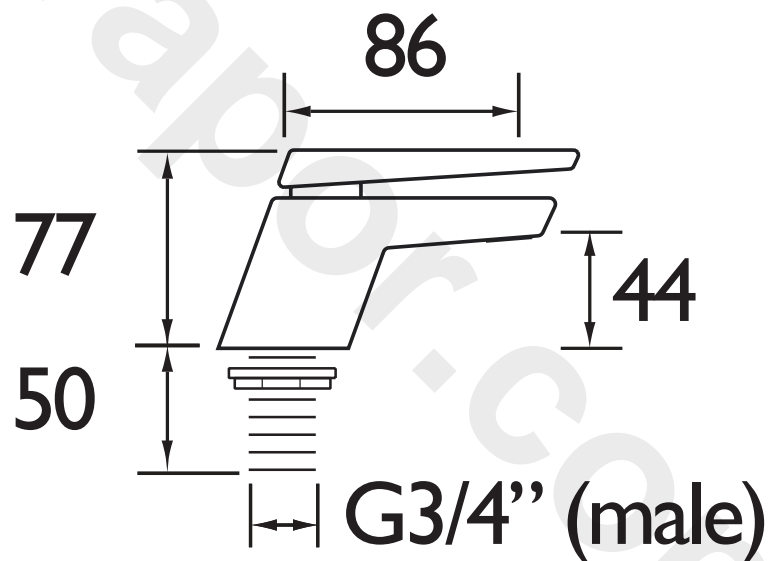
TECHNICAL
DATA
SHEET



Specification

Style:	Contemporary
Product Type:	Bathroom Taps
Finish/Colour:	Chrome
Main Construction Material:	Brass
Mount Type:	Deck
Handle Type:	Lever
Connection Inlet:	3/4" BSP
Number of Tap Holes Required:	2
Valve/Cartridge Type:	3/4" Ceramic Disc Valves
Plumbing System Suitability	All
Working Pressure Range:	Min 0.2 Bar, Max 5.0 Bar
Maximum Hot Water Temperature: °c	65
Maximum Dynamic Pressure: (bar)	5
Maximum Static Pressure: (bar)	10
Flow Type:	Single Flow
Flow Rate: (l/min @ 3 bar)	56
Connection Outlet:	
Isolation Included:	No

Dimensions (measurements in mm)



Flow Rates (l/min)

System Pressure (bar)	0.2	0.5	1	2	3	5
SAI 3/4 C (Hot)	13.6	22.3	31.5	44.6	54.6	70.4
SAI 3/4 C (Cold)	14.2	22.8	32.3	45.7	56	72.2

BRISTAN
TAPS & SHOWERS

D4